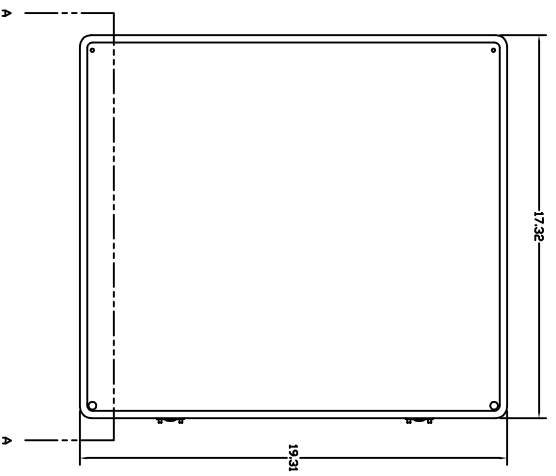
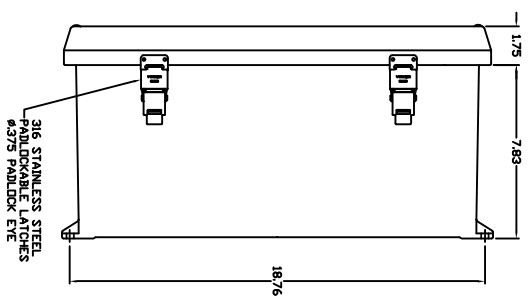


REVISIONS		DATE	APPROVED
ZONE	REV	DESCRIPTION	

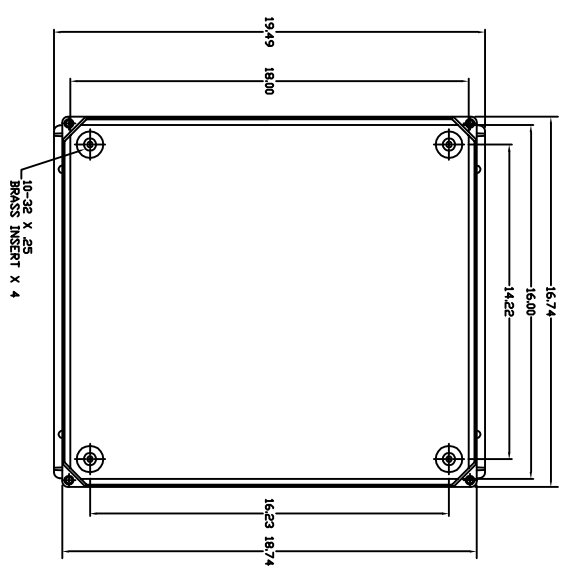
FRONT VIEW



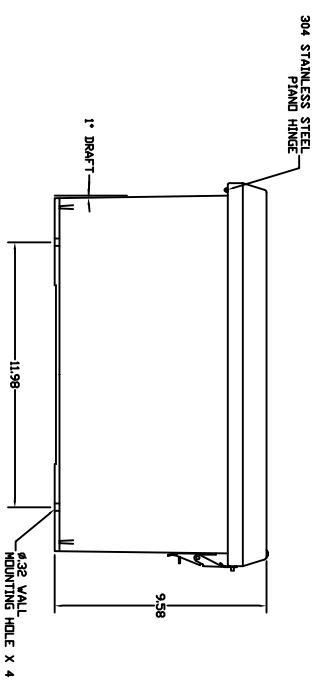
RIGHT SIDE VIEW



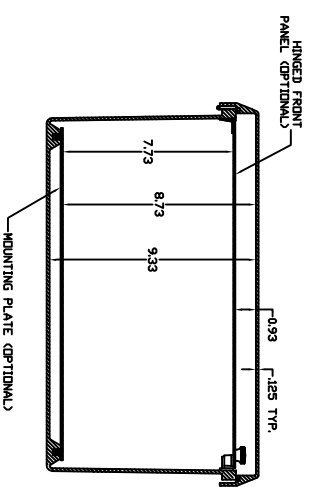
FRONT VIEW-COVER REMOVED



END VIEW



SECTION A-A



- NOTES:
- ENCLOSURE MATERIAL MADE OF GRAY (RAL 7036) HOT MOLDED FIBERGLASS REINFORCED POLYESTER.
  - UL LISTED PER STD. 508. (FILE# E54315)
  - CSA CERTIFIED PER STD. C22.2 NO. 94. (FILE# LR6508)
  - NEHA RATED TYPE 3, 3R, 3S, 4, 4X1E AND I3.
  - TEMPERATURE RANGES FROM -50 DEG. C TO 150 DEG. C.
  - SELF EXTINGUISHING AND HALOGEN FREE.
  - ACCESSORIES INCLUDE: BACK PANELS, DEAD FRONT PANELS, HINGED FRONT PLATES, HINGED COVERS, PRINT POCKETS, LATCHES, WINDOWS, AND VENTILATORS.
  - CABINETS ARE MAINTENANCE FREE AND CORROSION RESISTANT.

**UNLESS OTHERWISE SPECIFIED**  
 DIMENSIONS ARE IN MILLIMETERS  
 DECIMAL DIMENSIONS TO 0.050 MILLIMETERS  
 DIMENSIONS IN PARENTHESES ARE FOR INFORMATION ONLY

**YVCKLIER**  
 ENCLOSURE SYSTEMS INC.

YVCKLIER PART # VJ1816HWPL2

DATE	2/16/01	DESIGN	SCALE	TITLE	SHEET
DRAWN	KEITH OVERMAN	DESIGNED	D	VJ1816HWPL2	0