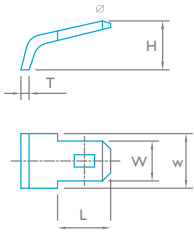


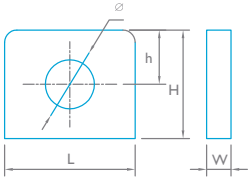
Terminal Configurations

F Series (Faston Tabs)



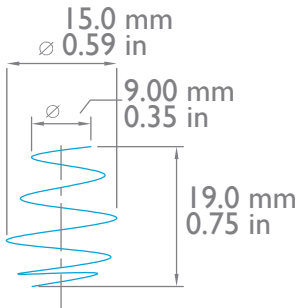
Dimension Type	L	W	w	H	T
F1	6.50 mm 0.26 in	4.75 mm 0.19 in	6.00 mm 0.24 in	5.00 mm 0.20 in	0.80 mm 0.03 in
F2	7.80 mm 0.31 in	6.35 mm 0.25 in	7.80 mm 0.31 in	6.00 mm 0.24 in	0.80 mm 0.03 in

T Series (Tab Terminal)

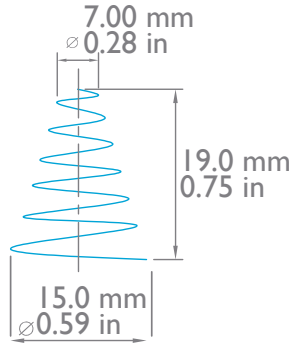


Dimension Type	L	W	w	h	∅
F1	14.0 mm 0.55 in	2.00 mm 0.09 in	12.5 mm 0.49 in	6.00 mm 0.24 in	6.00 mm 0.24 in
F2	12.0 mm 0.47 in	3.00 mm 0.12 in	12.5 mm 0.49 in	5.00 mm 0.20 in	5.50 mm 0.22 in

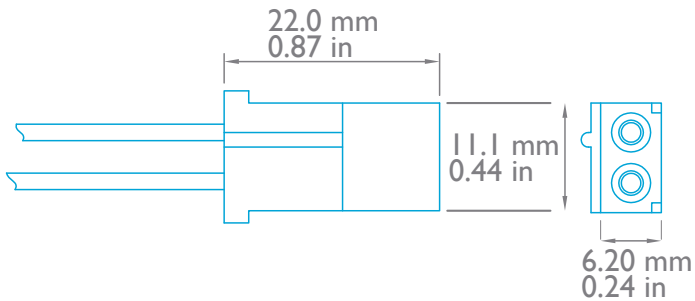
S Series (Spring Terminal) S1



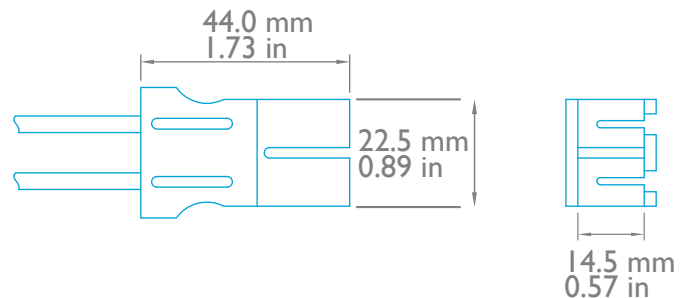
S Series (Spring Terminal) S2



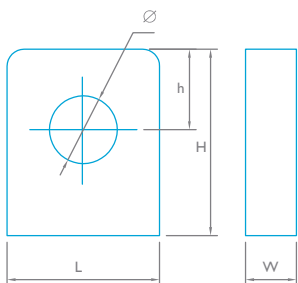
P Series (Plastic Connector Terminal) P1



P Series (Plastic Connector Terminal) P2



L Series (L Type Terminal)

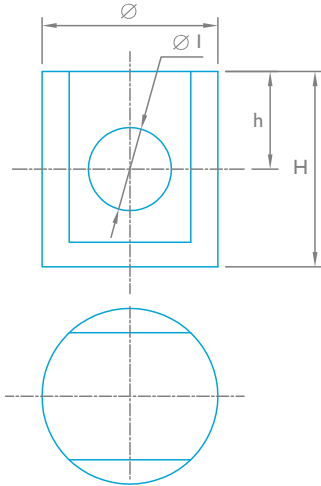


Dimension Type	L	W	H	h	∅
L1	17.5 mm 0.69 in	7.00 mm 0.28 in	17.0 mm 0.69 in	7.00 mm 0.28 in	8.50 mm 0.34 in
L2	17.0 mm 0.69 in	9.00 mm 0.35 in	17.0 mm 0.69 in	9.00 mm 0.35 in	6.50 mm 0.26 in
L3	25.5 mm 1.00 in	7.00 mm 0.28 in	22.0 mm 0.87 in	10.5 mm 0.41 in	8.50 mm 0.34 in
L4	26.5 mm 1.04 in	8.00 mm 0.32 in	24.5 mm 0.97 in	12.0 mm 0.47 in	9.00 mm 0.35 in
L5	26.5 mm 1.04 in	8.50 mm 0.34 in	24.0 mm 0.95 in	10.0 mm 0.39 in	8.00 mm 0.32 in



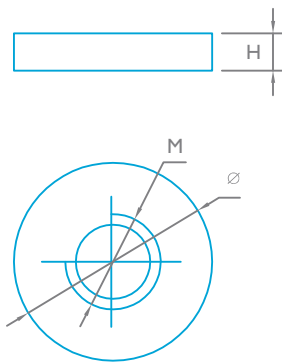
Terminal Configurations Cont.

Z Series (Z Post Terminal)



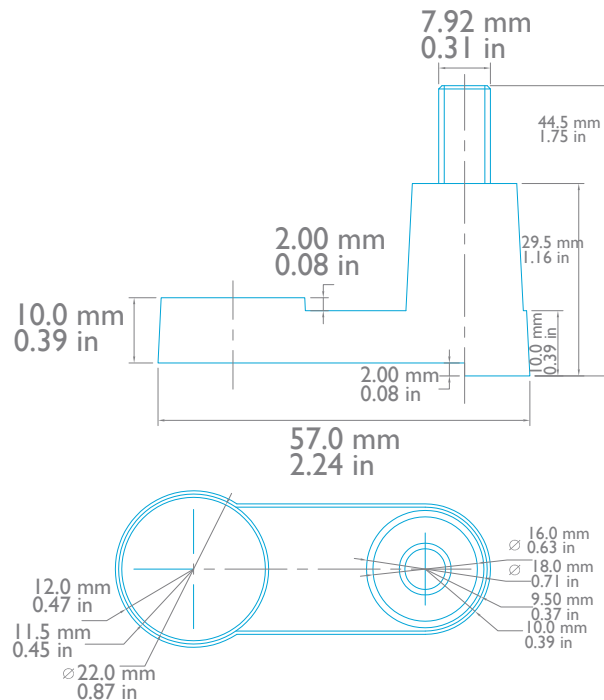
Type	Dimension	Ø	Ø1	H	h
Z1		17.0 mm 0.67 in	8.00 mm 0.32 in	21.5 mm 0.85 in	9.00 mm 0.35 in

I Series (Internal Thread Terminal)



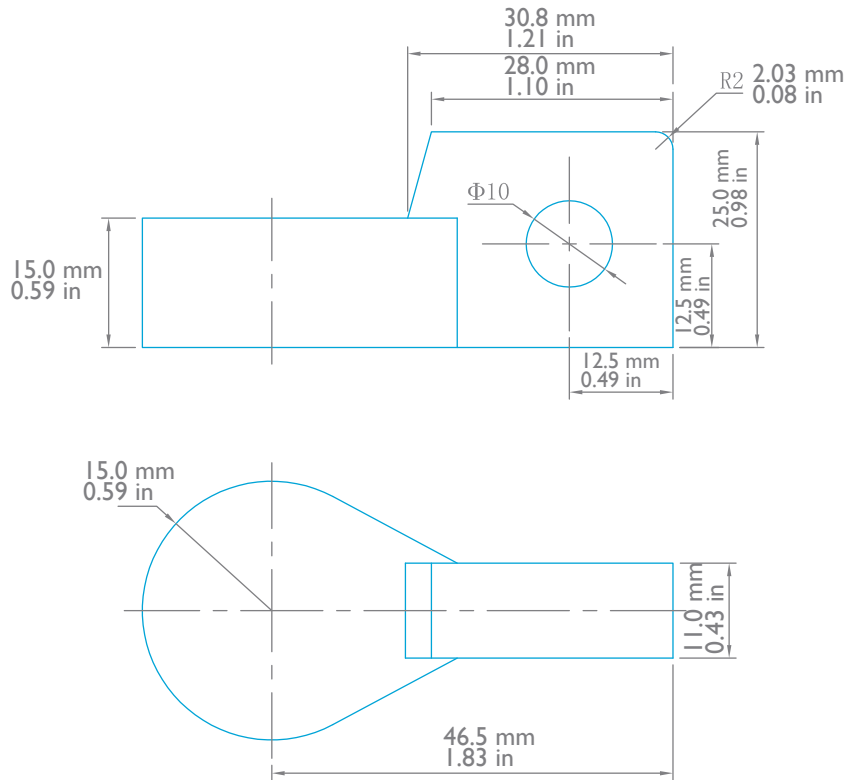
Type	Dimension	M	Ø	H
I1		6.00 mm 0.24 in	13.0 mm 0.51 in	4.00 mm 0.16 in
I2		6.00 mm 0.24 in	15.0 mm 0.59 in	3.00 mm 0.12 in
I3		9.52 mm 0.37 in	16.0 mm 0.63 in	4.00 mm 0.16 in
I4		6.00 mm 0.24 in	15.0 mm 0.59 in	4.00 mm 0.16 in
I5		9.52 mm 0.37 in	17.0 mm 0.67 in	4.00 mm 0.16 in
I6		6.00 mm 0.24 in	16.0 mm 0.63 in	4.00 mm 0.16 in
I7		9.52 mm 0.37 in	16.0 mm 0.63 in	4.00 mm 0.16 in
I8		10.0 mm 0.39 in	19.0 mm 0.75 in	2.00 mm 0.08 in
I9		9.52 mm 0.37 in	19.0 mm 0.75 in	4.00 mm 0.16 in

Marine Combo Post

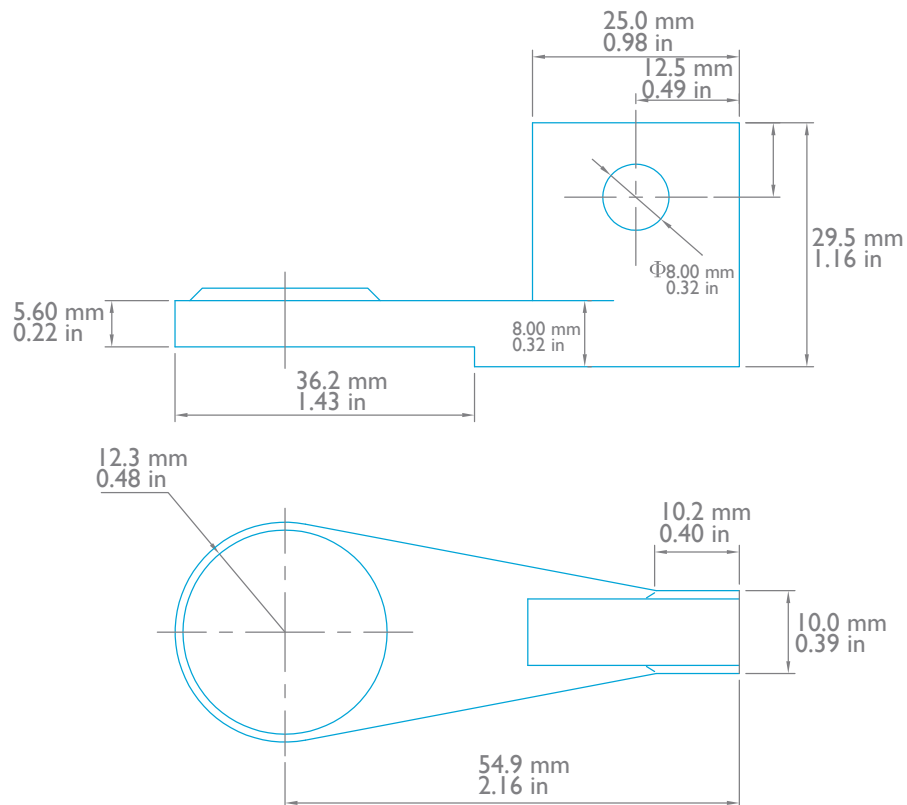


Terminal Configurations Cont.

Flag Terminal - FL1



Flag Terminal - FL2



TF: 866.892.1122
P: 469.892.1122
E: sales@upgi.com



www.upgi.com

NYSE Amex:UPG
VR092209