



## NEMA Type 4X Quick Release Latch Fiberglass Enclosures – Flat Cover

---



### Application

The quick release latch fiberglass enclosure can be used indoors or outdoors to provide protection against dust, dirt, oil and water. It is designed for use as a terminal wiring box, instrumentation housing or electrical control enclosure where a hinged cover is desired.

### Construction

The quick release latch enclosures are constructed of compression molded, fiberglass reinforced polyester. Enclosure includes a stainless steel continuous hinge and stainless steel quick release latches with padlock hasps. The cover gasket is a continuous urethane material. Panel mounting inserts are molded to interior of enclosure. External mounting feet are also molded to enclosure. Machine tool gray color.

**\*Also available in colors.**



### Panels

Optional panels are available. Panels fabricated of 0.080" or 0.090" aluminum.

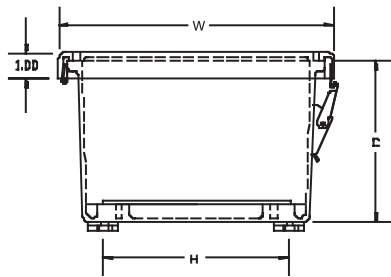
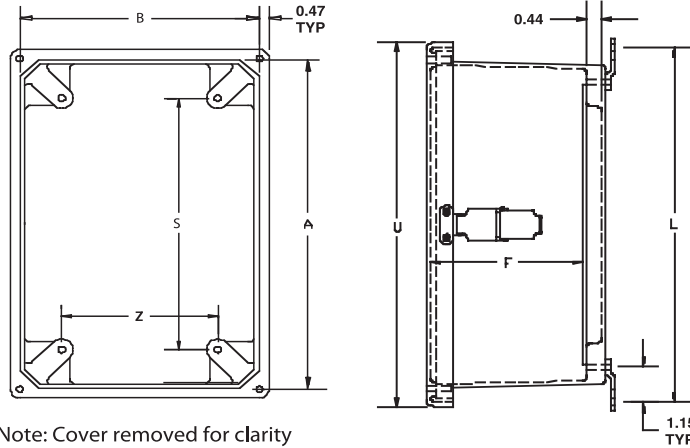
### Standards

All flat cover quick release latch fiberglass enclosures conform to the National Electrical Manufacturers Association (NEMA) standard for Type 3 (Dust-tight, Raintight and Sleet/Ice Resistant), Type 4X (Watertight, Dust-tight and Corrosion Resistant), Type 12 (Dust-tight) and Type 6P (Prolonged Submersion in Water). They are listed by Underwriters Laboratories, Inc. (UL) for Canada and the United States.



### Special Orders

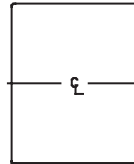
Custom units with holes punched and operators installed can be supplied.



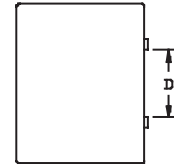
Nom. 1/8" wall thickness

Latch Locations

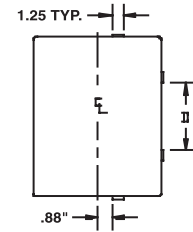
For use on  
6x6x4 8x6x4  
10x8x4  
10x8x6



For use on  
12x10x6 D=6.75  
14x12x6 D=7.25  
16x14x8 D=7.25



For use on  
18x16x8 D=5.25  
20x16x8 D=9.25



Part No.	Box Size			F	Centers				Cover Dim.	
	A	B	C		H	S	Z	L	U	W
AM664L	6.10	6.10	4.18	3.76	5.01	4.25	4.25	7.32	7.69	7.69
AM864L	8.00	6.12	4.13	3.68	5.01	6.25	4.25	9.19	9.59	7.71
AM1084L	10.13	8.26	4.13	3.68	7.01	8.25	6.25	11.19	11.73	9.85
AM1086L	10.13	8.26	6.13	5.68	7.01	8.25	6.25	11.19	11.73	9.85
AM1206L	12.13	10.26	6.13	5.68	9.01	10.25	8.25	13.19	13.73	11.85
AM1426L	14.13	12.26	6.13	5.68	11.01	12.25	10.25	15.19	15.73	13.85
AM1648L	16.27	14.40	8.13	7.68	13.01	14.25	12.25	17.19	17.87	15.99
AM1868L	18.40	16.40	8.13	7.68	14.97	16.25	14.25	19.28	20.00	18.00
AM2068L	20.00	16.00	8.13	7.68	14.54	17.81	13.81	20.84	21.59	17.59

All dimensions in inches.

